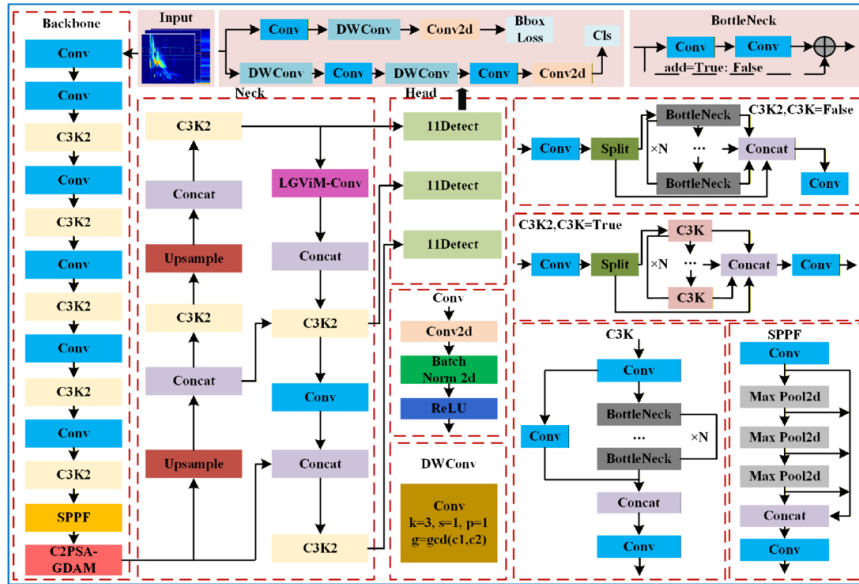


Figure 5. from

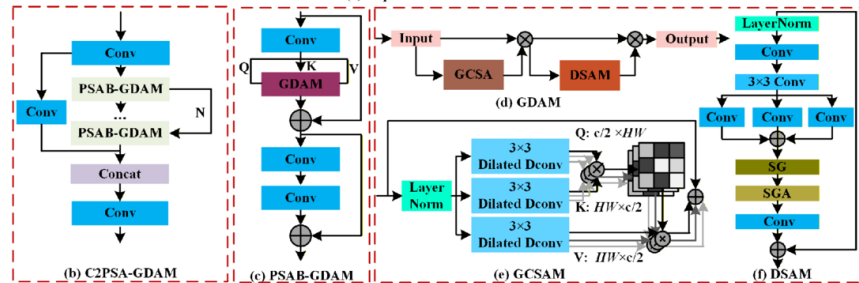
Yan Liu et al 2026 *Astrophys. J. Suppl.* 285 doi:10.3847/1538-4365/ae7337

<https://dx.doi.org/10.3847/1538-4365/ae7337>

© 2026. The Author(s). Published by the American Astronomical Society.



(a) Improved YOLO11

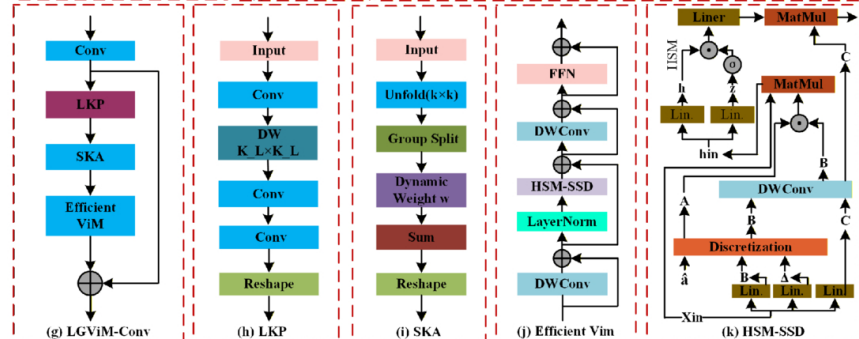


(b) C2PSA-GDAM

(c) PSAB-GDAM

(e) GCSAM

(f) DSAM



(g) LGViM-Conv

(h) LKP

(i) SKA

(j) Efficient ViM

(k) HSM-SSD