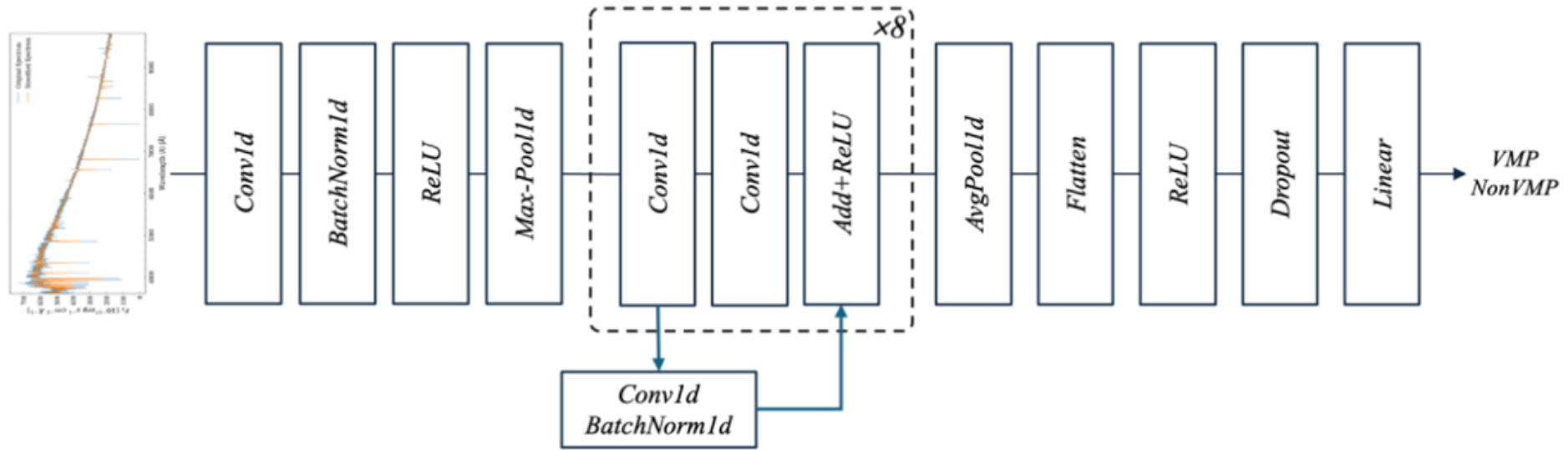
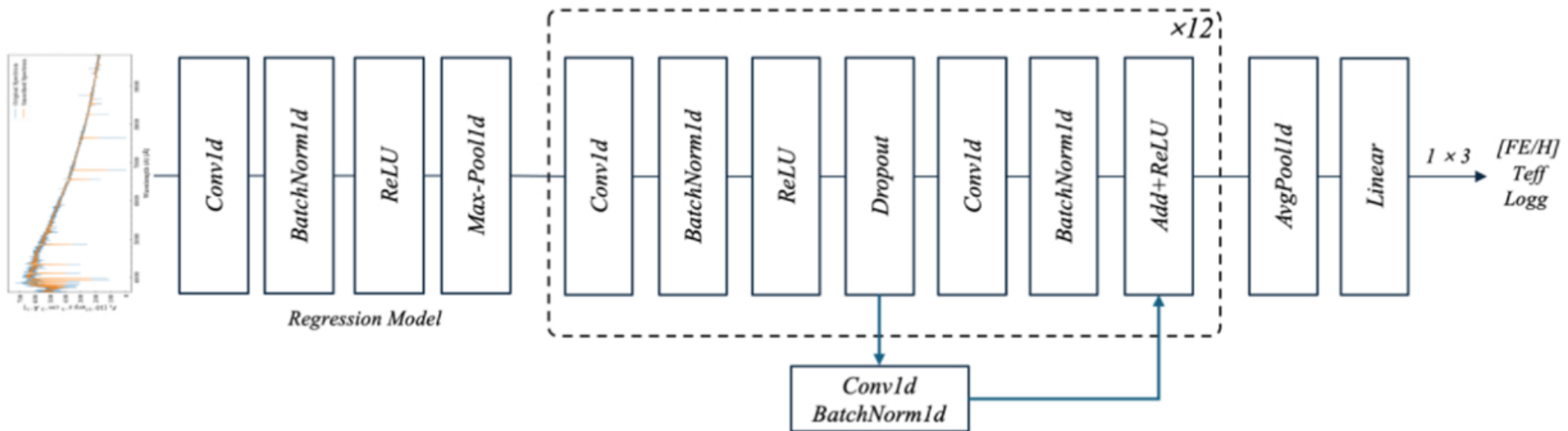


Figure 2. from  
 Chen Yang et al 2026 *Astrophys. J. Suppl.* 284 doi:10.3847/1538-4365/ae578a  
<https://dx.doi.org/10.3847/1538-4365/ae578a>  
 © 2026. The Author(s). Published by the American Astronomical Society.



(a) Classification Model Structure



(b) Regression Model Structure